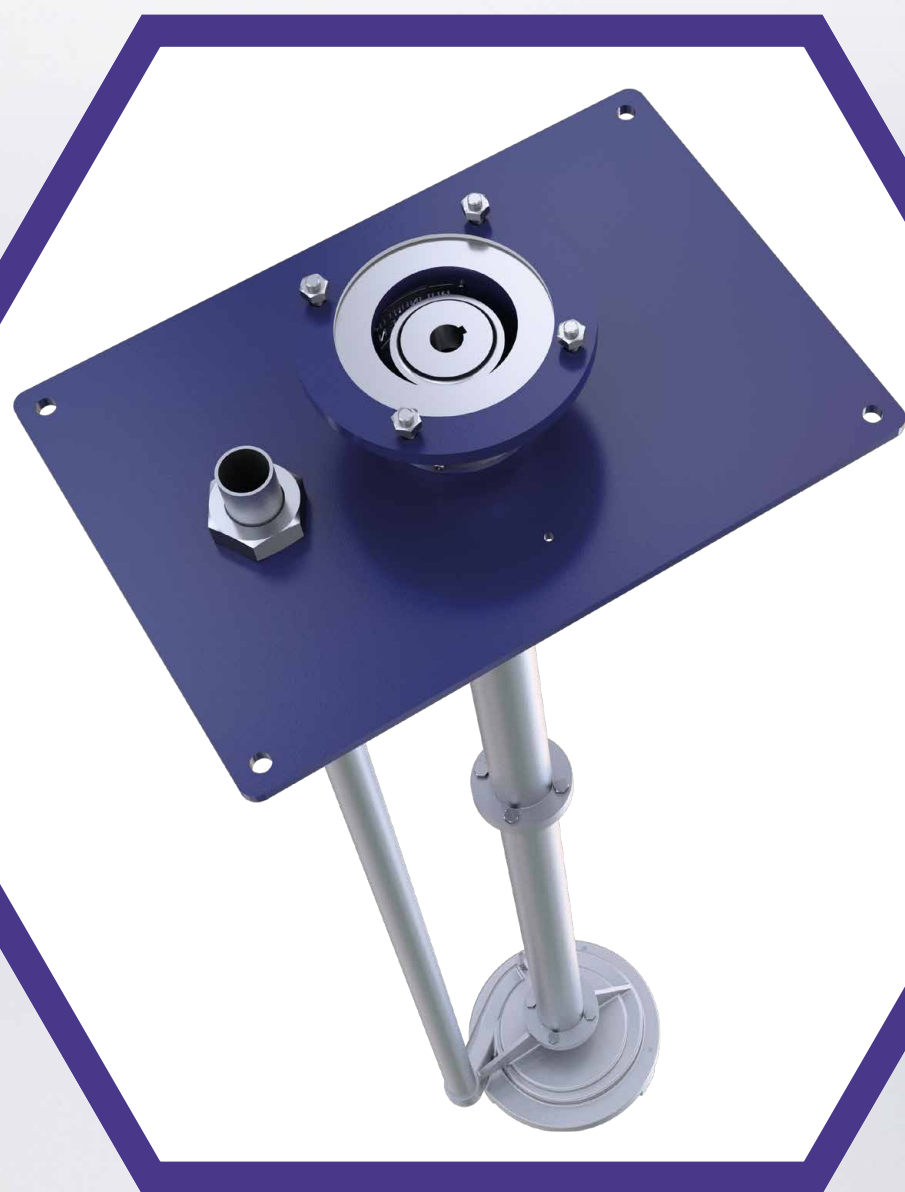


RK

Vertical metal pump





The RK

Optimal as emergency pump

The draining pump RK is usually a sump pump, which drains open containers/pits regularly. The pump can be mounted on a tank wall and can also be installed directly on the bottom of the tank by an internal spacer at the volute casing.

Design features

- Design: vertical, single-stage
- Casing design: double volute casing
- Pump installation: wet
- Bearing lubrication: grease lubrication
- Sleeve bearing lubrication: by the pumped medium or external lubrication
- Installation versions: sole plate on tank or steel structure
- Bearing lubrication: grease or oil lubrication
- Solid content limit value: approx. 5 %



Technical data

	RK
Size DN	40 to 50
Q_{\max} m ³ /h (gpm)	45 (198)
H_{\max} m (ft)	55 (180)
Submersion depth mm (ft)	2050 (6,7)
Temperature °C (°F)	-40 to +100 (-40 to 212)
Open impeller	Standard
Seal	Lip ring seal, Stuffing box packing

Options

- External lubrication of the sleeve bearing-
with grease or fresh water
- A suction extension pipe can be attached
to increase the submersion depth
- Pump accessories

Applications

For draining operation for handling chemically polluted waste water containing solids up to 8 mm grain size.

Material - 1.4408

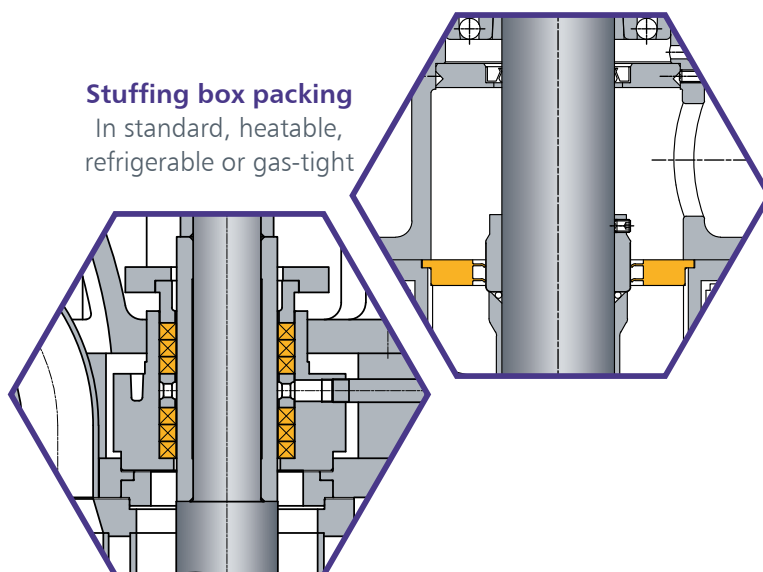
Fully austenitic chromium nickel molybdenum steels with a good general resistance to corrosion. These materials are suitable for pumping almost all organic liquids, 50 % caustic soda up to 90 °C (194 °F), KTL paint, pure phosphoric acid, dry chlorine, liquid sulphur, PTA and many other media.

Lip ring seal

Sealed by dry-running
or shaft seal rings

Stuffing box packing

In standard, heatable,
refrigerable or gas-tight



Main features

1 Pump Size 40/120 (Standard) is close coupled to a standard metric squirrel cage motor. The motor is an integral part of the pump set. Pump Sizes 40/200 and 50/160 are usually supplied without electric motor. Every standard vertical metric motor frame 80-132 (V1 mounting) can be fitted.

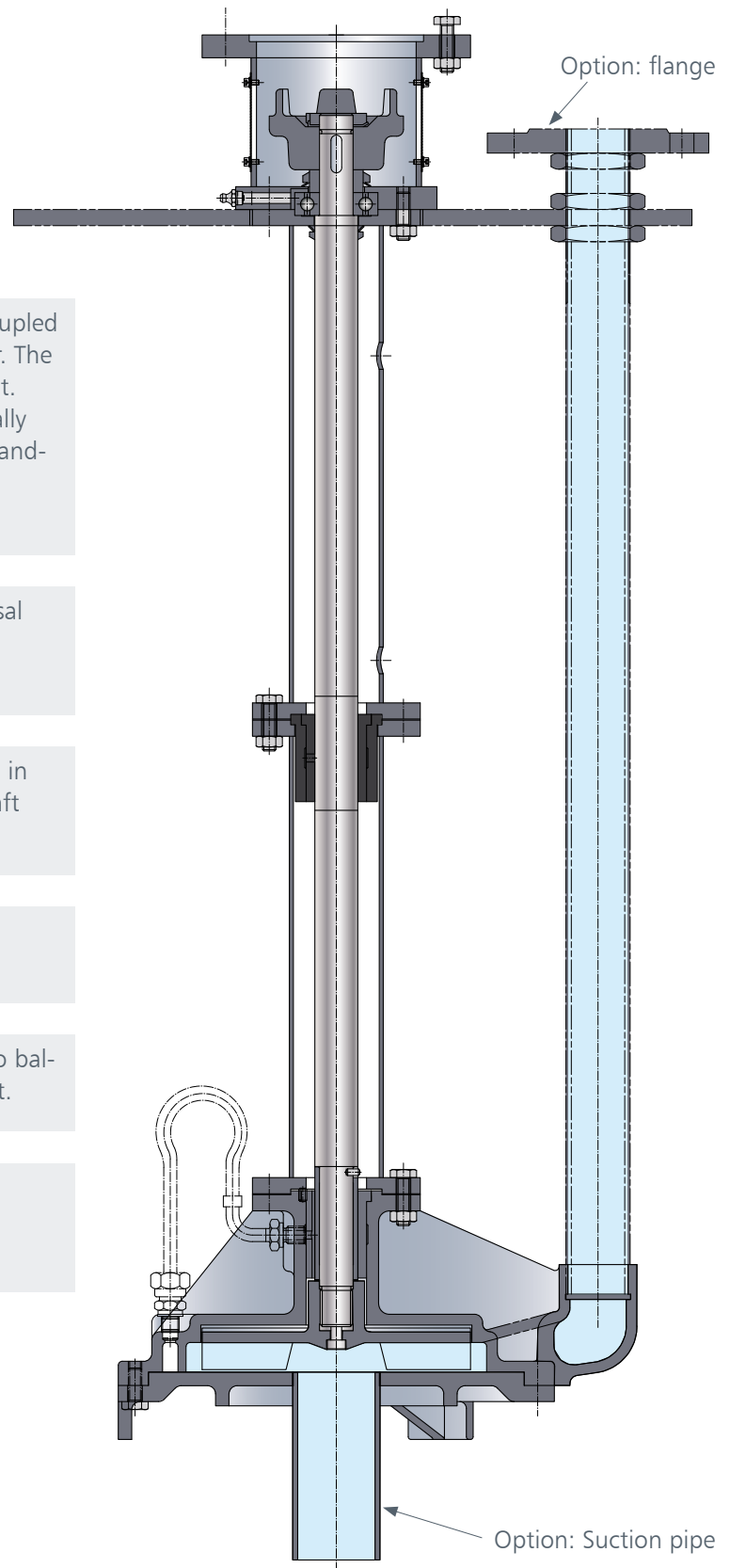
2 Bearing bushing in carbon giving universal resistance to corrosion and the ability to run dry.

3 Pump supplied with bearing shaft sleeve in foot bearing preventing wear on the shaft itself.

4 Open ducted impeller for easy cleaning.

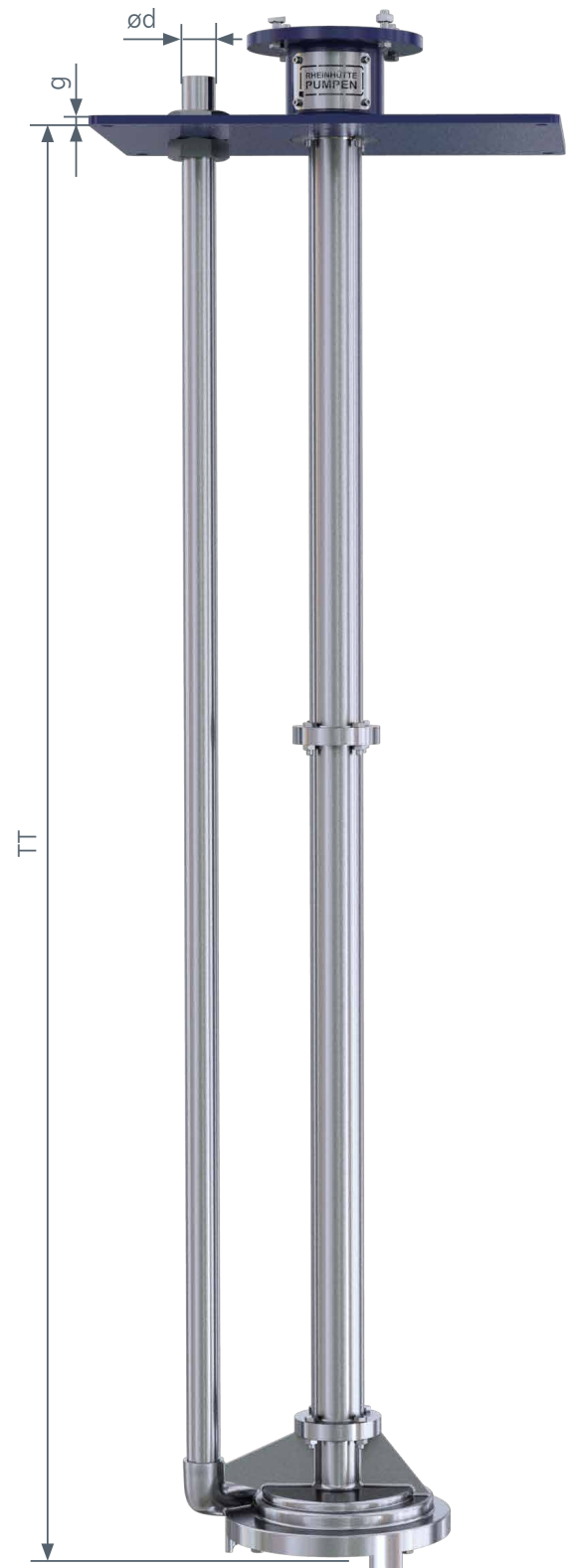
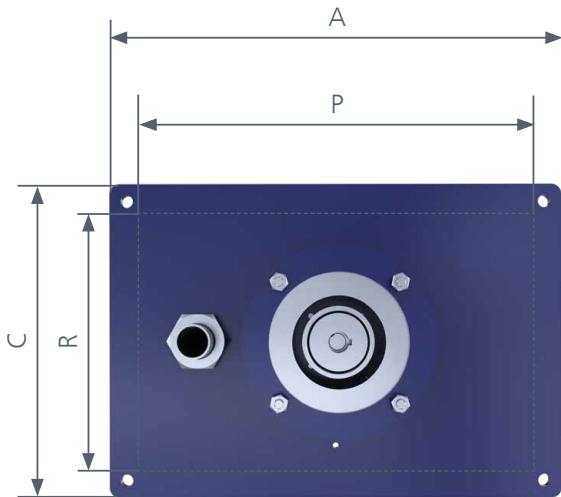
5 Pump casing fitted with double volute to balance the radial forces on the pump shaft.

6 Built in filter in the suction nozzle - no damage or clogging by large particles.



The drawings essentially correspond to the execution. We reserve the right to make design changes.

Pumps & installation dimensions



Submersion depth (TT):

40/120: 500, 1000, 1500, 2000 mm (1.64, 3.28, 4.92, 6.56 ft)

40/200: 550, 1050, 1550, 2050 mm (1.80, 3.44, 5.09, 6.73 ft)

50/160: 550, 1050, 1550, 2050 mm (1.80, 3.44, 5.09, 6.73 ft)

For submersion depths of 2000 and 2050 mm (6.56 and 6.73 ft) all pump sizes with intermediate bearing.

Suction pipe for extending the submersion depth possible.

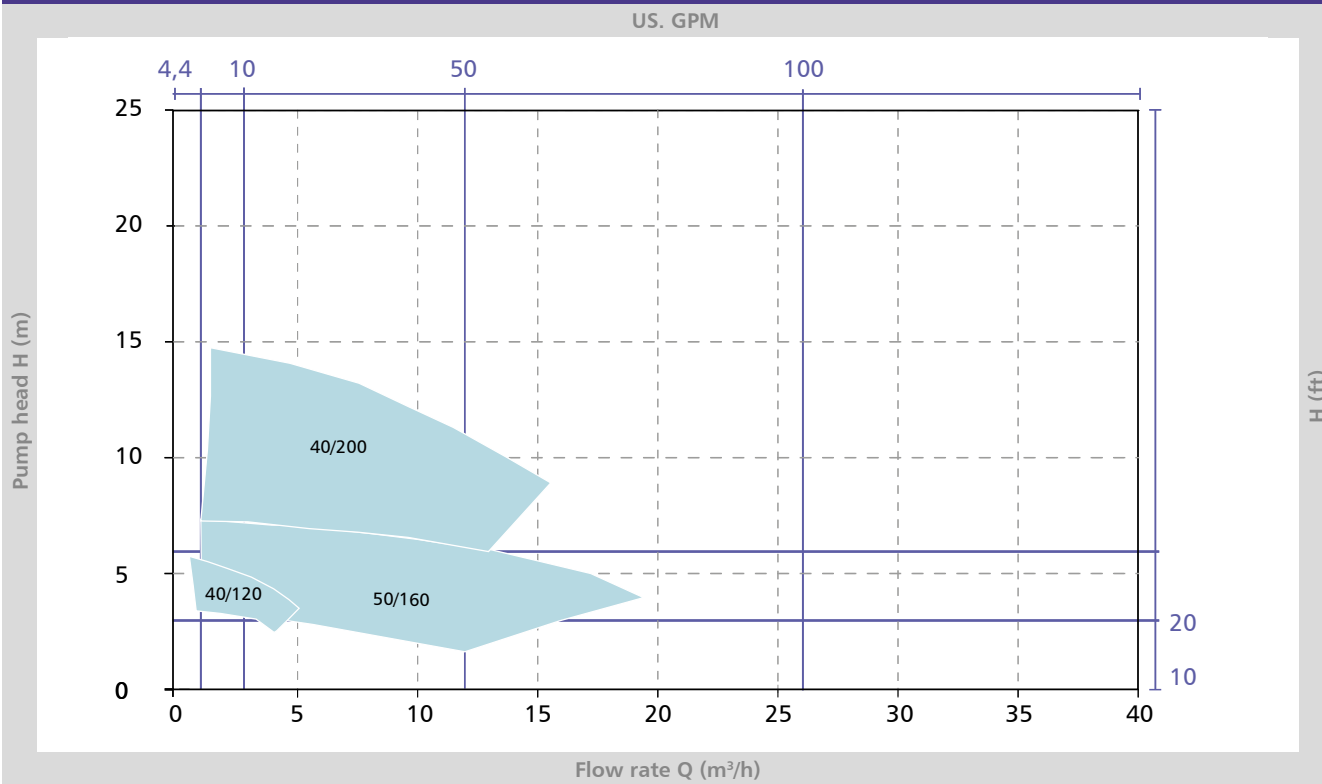
Size	BB	Pump flange	Sole plate		Flange dimensions		
		ød	g	A	C	P	R
40/120	1	G 1 ^{1/4}	12	650	450	600	400
40/200	1	G 1 ^{1/2}	12	650	450	600	400
50/160	1	G 2	12	650	450	600	400

BB = Bearing bracket N2 = Pressure flange

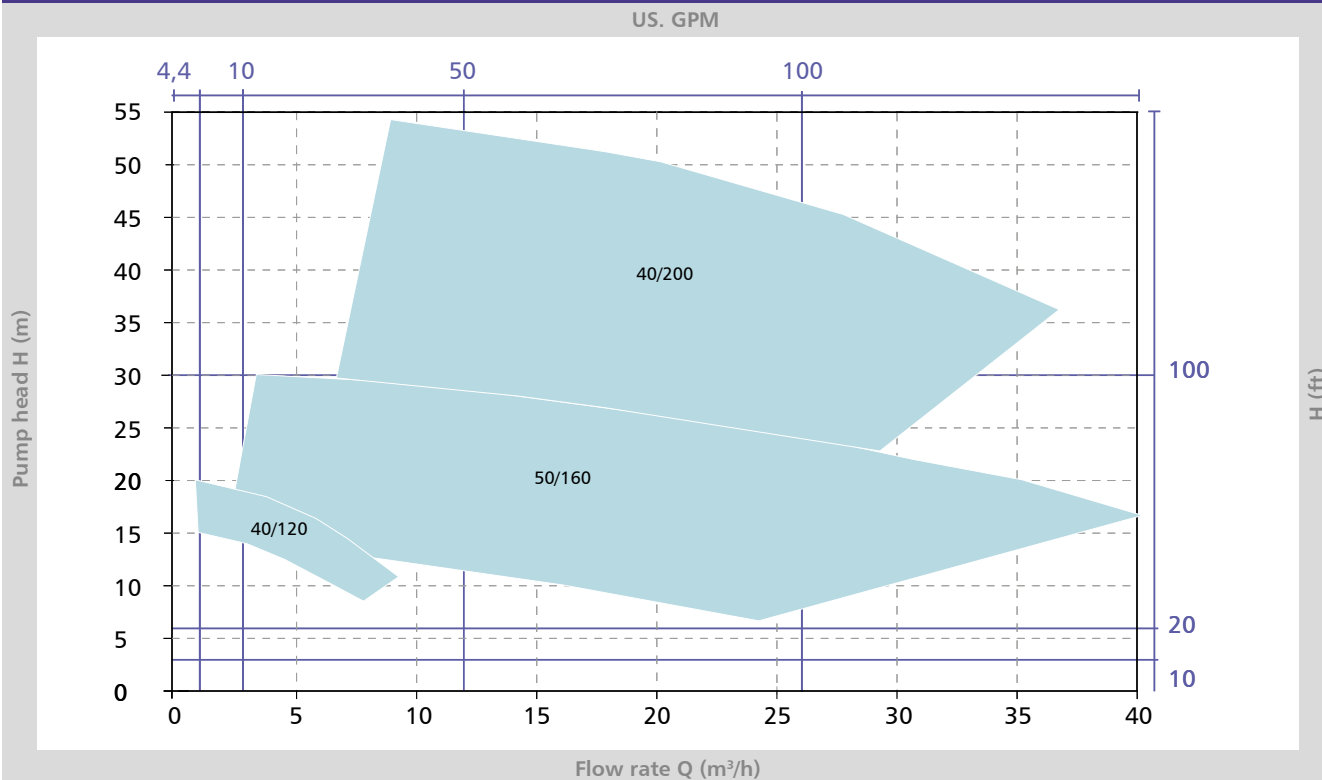
All dimensions are shown in millimetres.

Capacity ranges

RK : 50 Hz n = 1450 /min

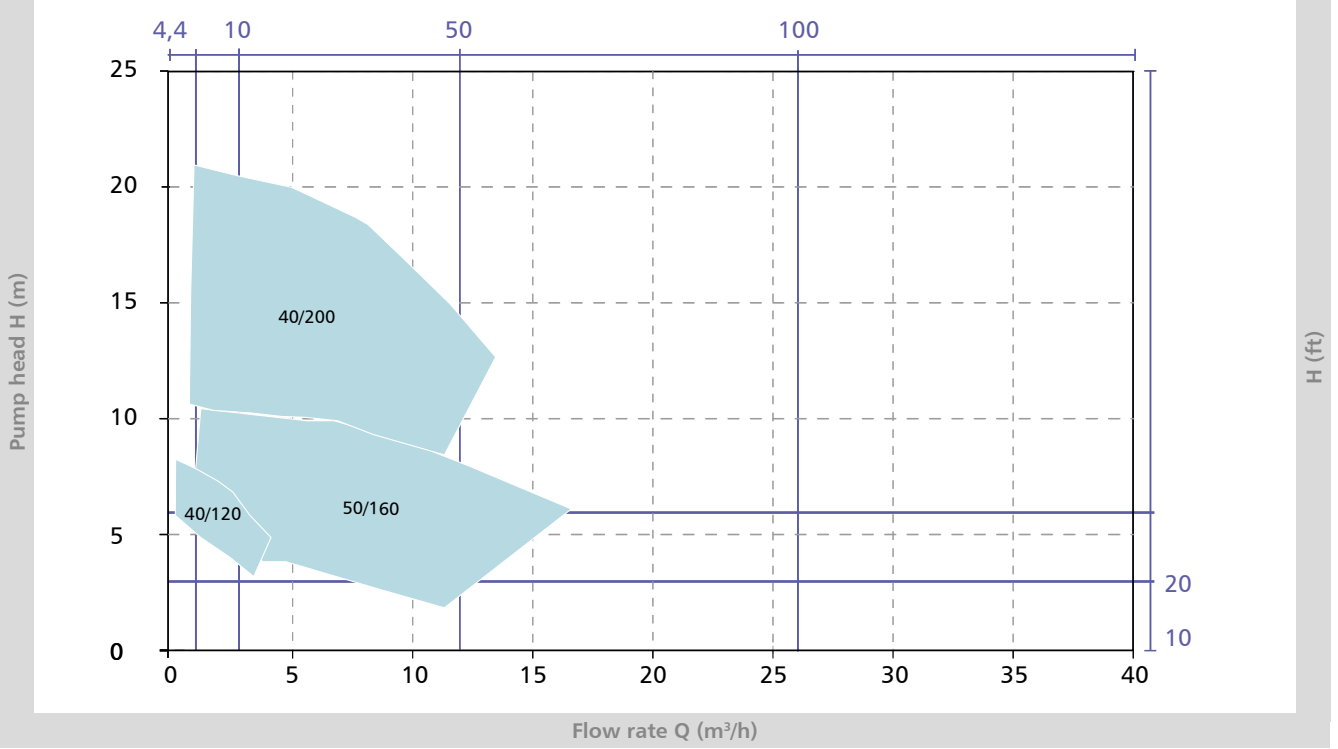


RK : 50 Hz n = 2900 /min



RK : 60 Hz n = 1750 /min

US. GPM





— An ITT Brand

ITT RHEINHÜTTE Pumpen GmbH
Rheingaustraße 96-98
D-65203 Wiesbaden
T +49 611 604-0
info@rheinhuette.de
www.rheinhuette.de