

FNP

Horizontal plastic pump





Avoid unplanned downtime

The pump is equipped with the i-ALERT®2 sensor as standard. This monitors vibrations and temperature. If preset limit values are exceeded, LEDs in the sensor light up. All measured values can be retrieved via an app or the Ai Platform. This means that necessary measures can be taken in good time before the pump fails.



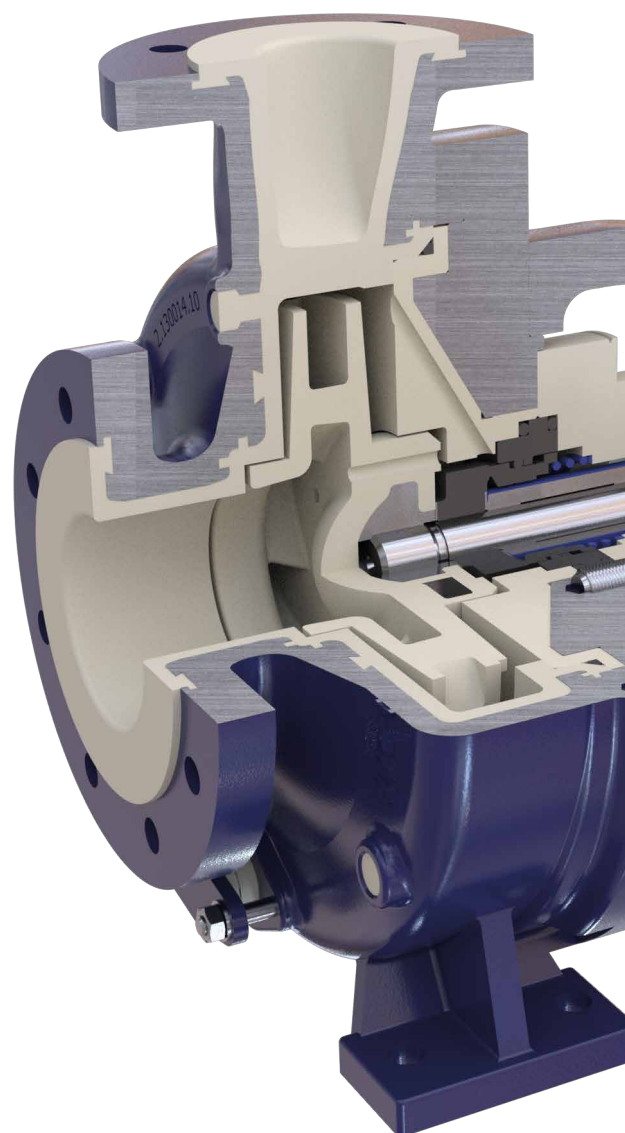
The FNP

Standardized chemical pumps

The standard chemical pumps made in PFA are almost universally applicable in the chemical and pharmaceutical industry, in the petrochemical industry and in general process engineering for pumping chemically aggressive and corrosive media.

Design features

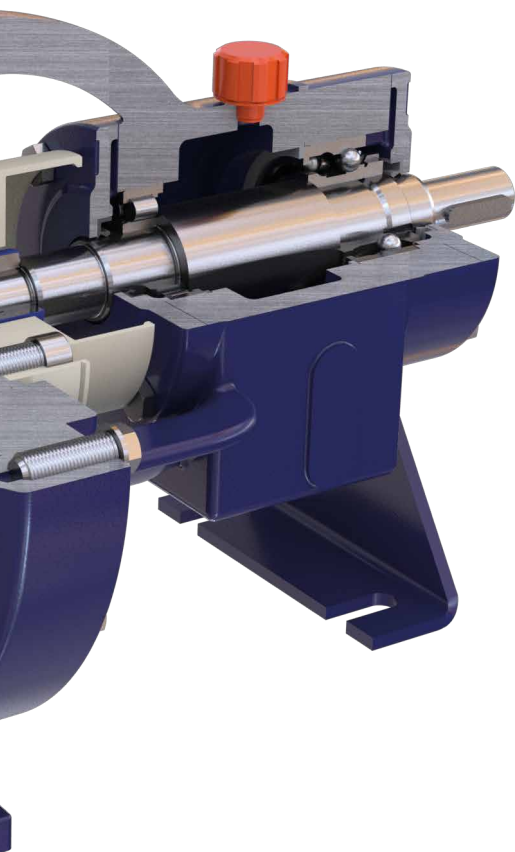
- Design: horizontal, single-stage
- Construction: back-pull-out design according to ISO 2858
- Casing design: volute casing with plastic lining
- Bearing lubrication: oil or grease lubrication
- Installation versions:
 - Base frame welded or base plate cast
- Temperature range: -20 °C to +60 °C (-4 °F to +140 °F)
- Max. solids content: approx. 5 %





Technical data

	FNP
Size DN	25 to 65
Q_{\max} m ³ /h (gpm)	70 (308)
H_{\max} m (ft)	95 (312)
Temperature °C (°F)	-30 to +190 (-22 to 374)
Standards	EN 22858, ISO 2858, ISO 5199
Closed impeller	Standard
Back pull out design	Standard
Plastic Lining	Standard
Seal	Mechanical seal



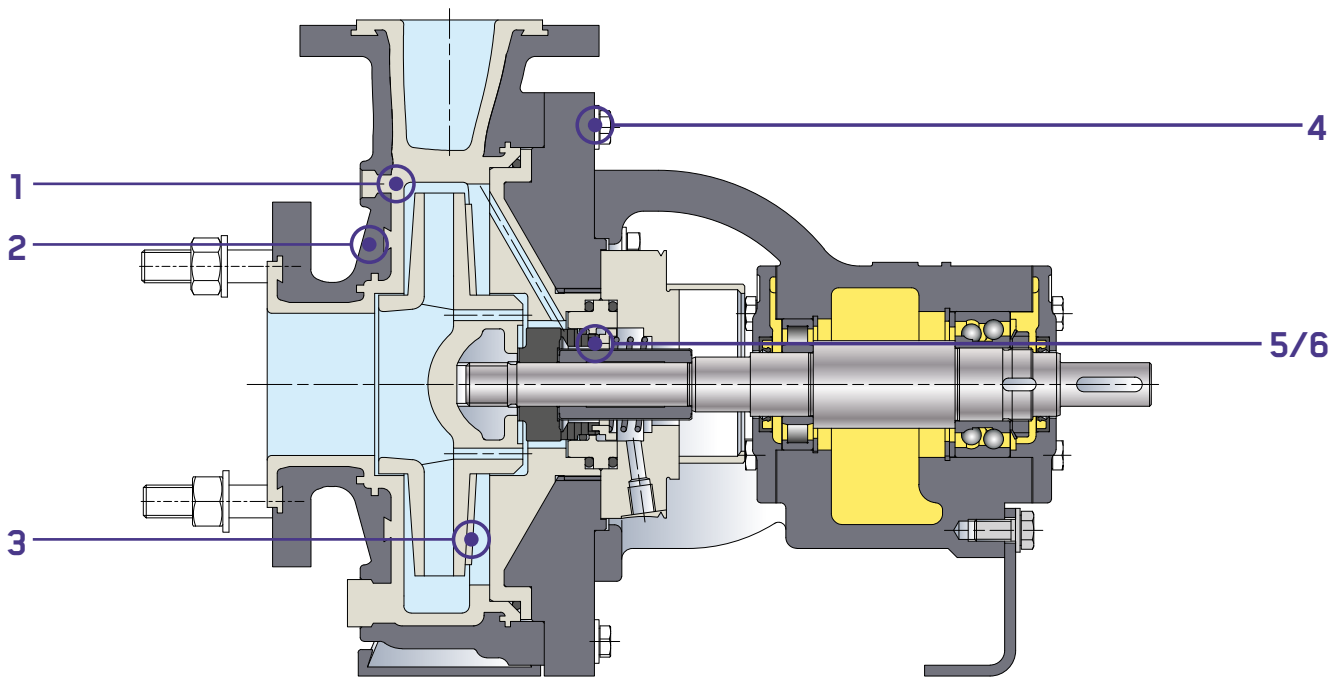
Options

- Drain of volute casing
- Temperature and vibration monitoring
- Flange processing in line with international standards
- Use of customer-specific mechanical seals
- Pump accessories

Typical applications

- General processing technology
- Chemical industry
- Chloralkali electrolysis
- Seawater
- Petrochemicals
- Pharmaceutical industry
- Steel and stainless steel pickling

Main features



1

Thick-walled, diffusion-resistant PFA lining of all parts in contact with the medium. PFA (Perfluoralkoxy) is a perfluorinated alkyl vinyl ether. Centrifugal pumps lined with PFA can be used from $-30\text{ }^{\circ}\text{C}$ to $190\text{ }^{\circ}\text{C}$ ($-22\text{ }^{\circ}\text{F}$ to $+284\text{ }^{\circ}\text{F}$). With a few exceptions, the material has universal chemical resistance. The special anchoring of the PFA lining in the casing armour makes it vacuum-proof and dimensionally stable.

2

All metallic, pressure-bearing parts are made of PFA-coated GGG 40.3 and/or steel. This ensures a high pressure/temperature resistance.

3

The axial thrust balancing is achieved by back vanes and relief holes on the impeller.

4

Safe and time-saving disassembly and assembly due to fewer components.

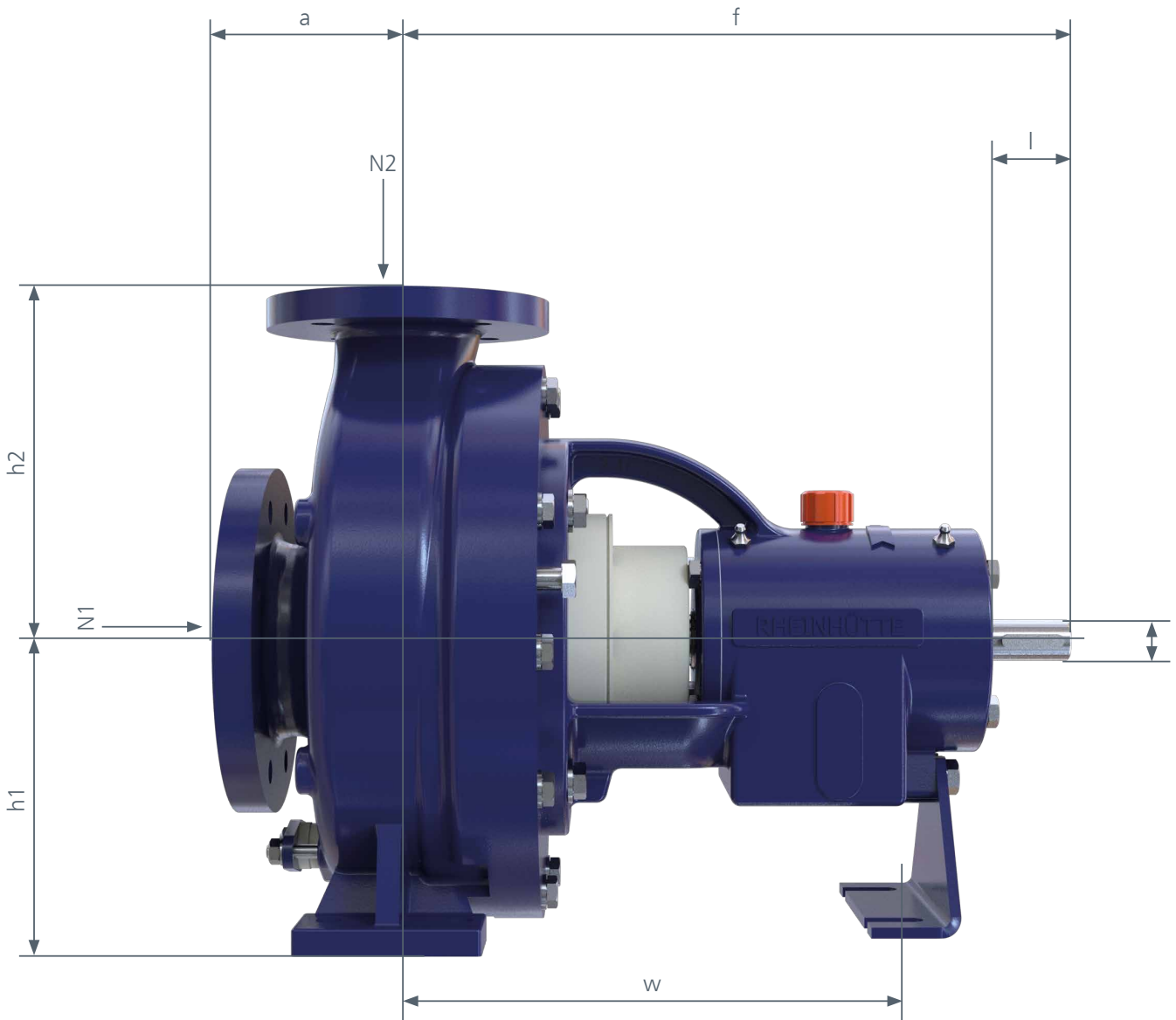
5

The Rheinütte standard mechanical seal Allpac S in single or double-acting design is almost universally applicable for many corrosive media. The counter ring retainer protects the impeller from damage in case of insufficient lubrication.

6

Customer-specific standard mechanical seals can be used alternatively.

Pump & installation dimensions



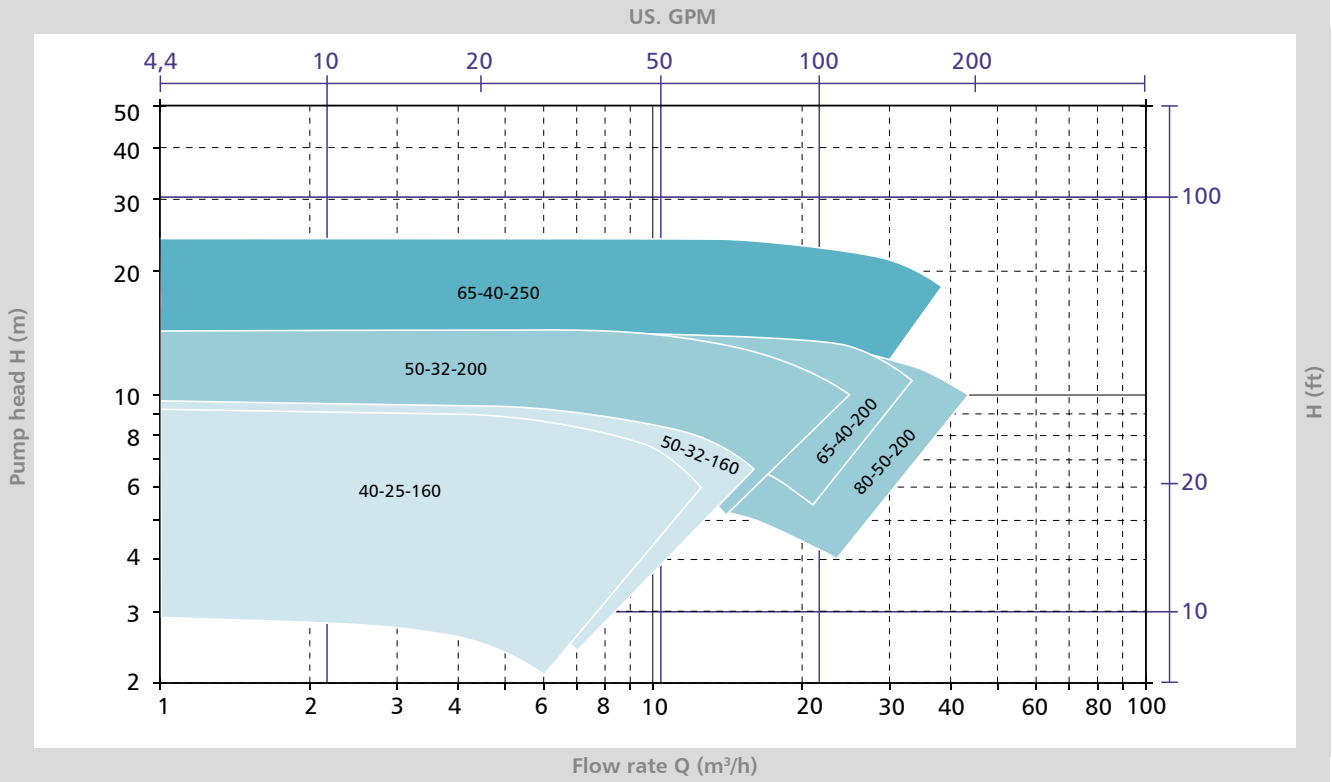
Size	BB	Pump dimensions				Foot dimensions	Shaft end		Flange dimensions	
		a	f	h1	h2	w	ød	l	N1	N2
40-25-160	0	80	385	132	160	285	24	50	40	25
50-32-160	0	80	385	132	160	285	24	50	50	32
50-32-200	1	80	385	160	180	285	24	50	50	32
65-40-200	1	100	385	160	180	285	24	50	65	40
80-50-200	1	100	385	160	200	285	24	50	80	50
80-65-160	1	100	385	160	180	285	24	50	80	65
65-40-250	2	100	500	180	225	370	32	80	65	40

BB = Bearing bracket, N2 = Pressure flange

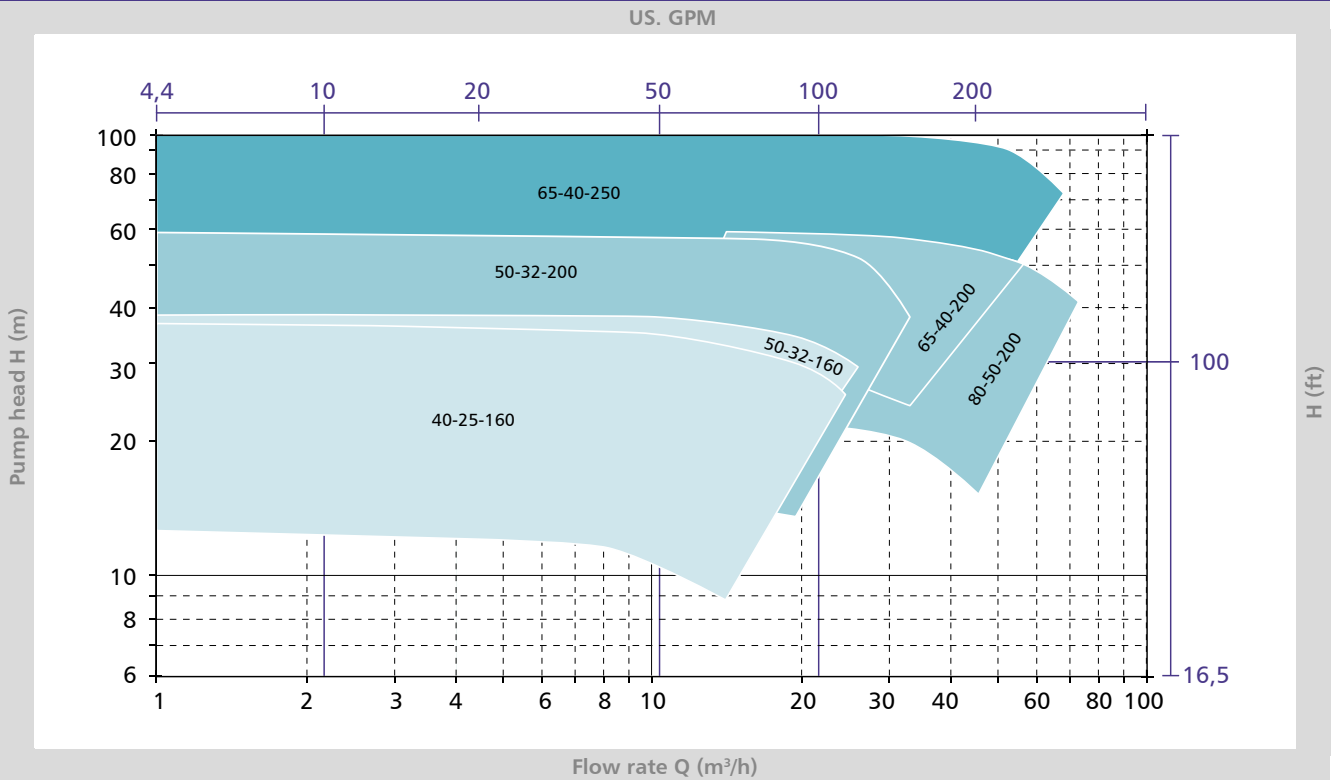
All dimensions are shown in millimetres.

Capacity ranges

FNP: 50 Hz n = 1450 /min

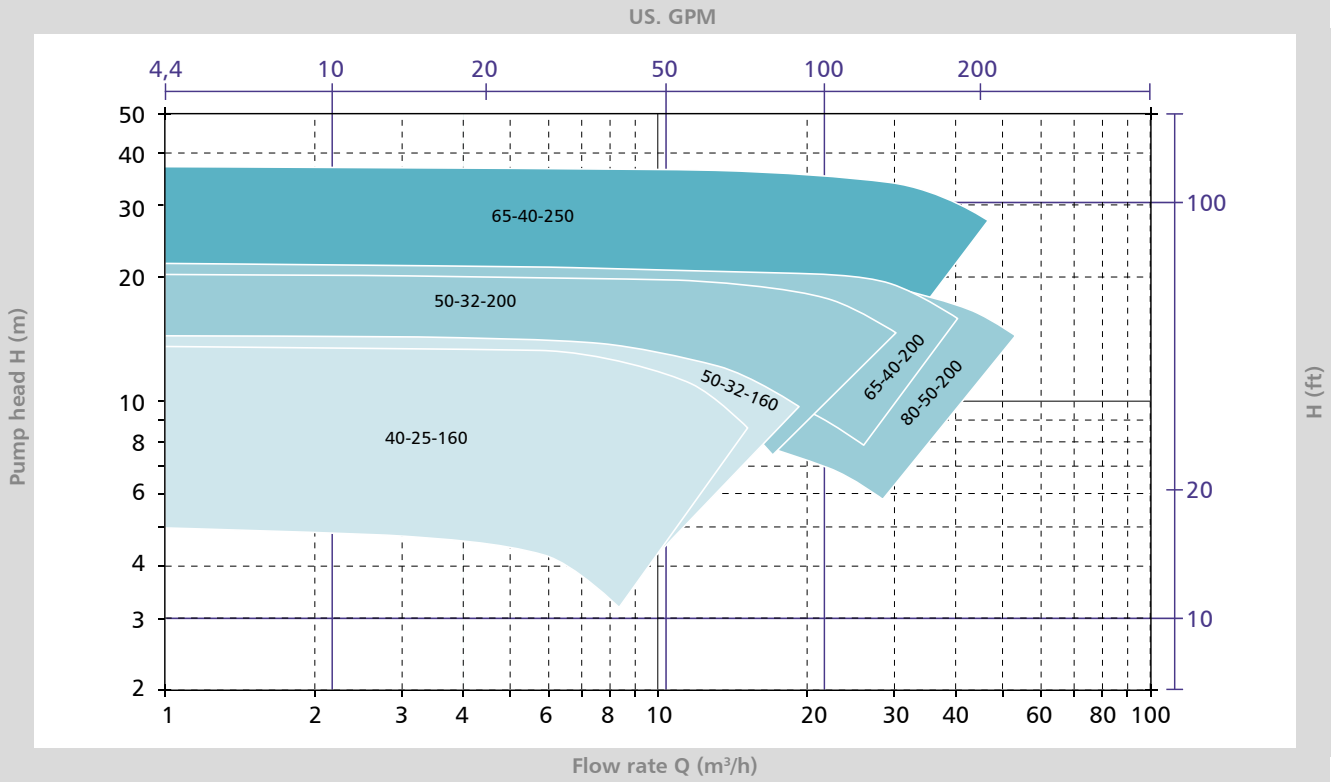


FNP: 50 Hz n = 2900 /min

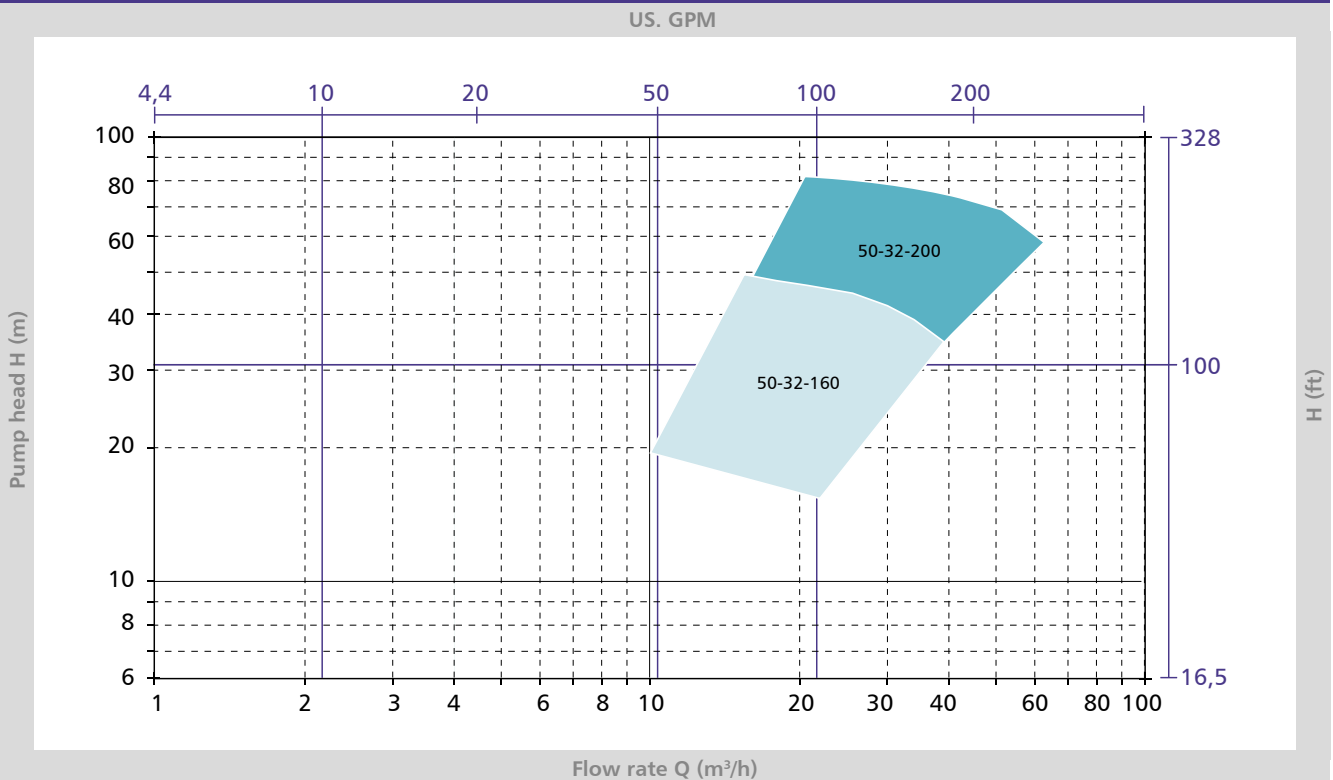


Bearing bracket 0 1 2

FNP: 60 Hz n = 1750 /min



FNP: 60 Hz n = 3500 /min





— An ITT Brand

ITT RHEINHÜTTE Pumpen GmbH
Rheingaustraße 96-98
D-65203 Wiesbaden
T +49 611 604-0
info@rheinhuette.de
www.rheinhuette.de